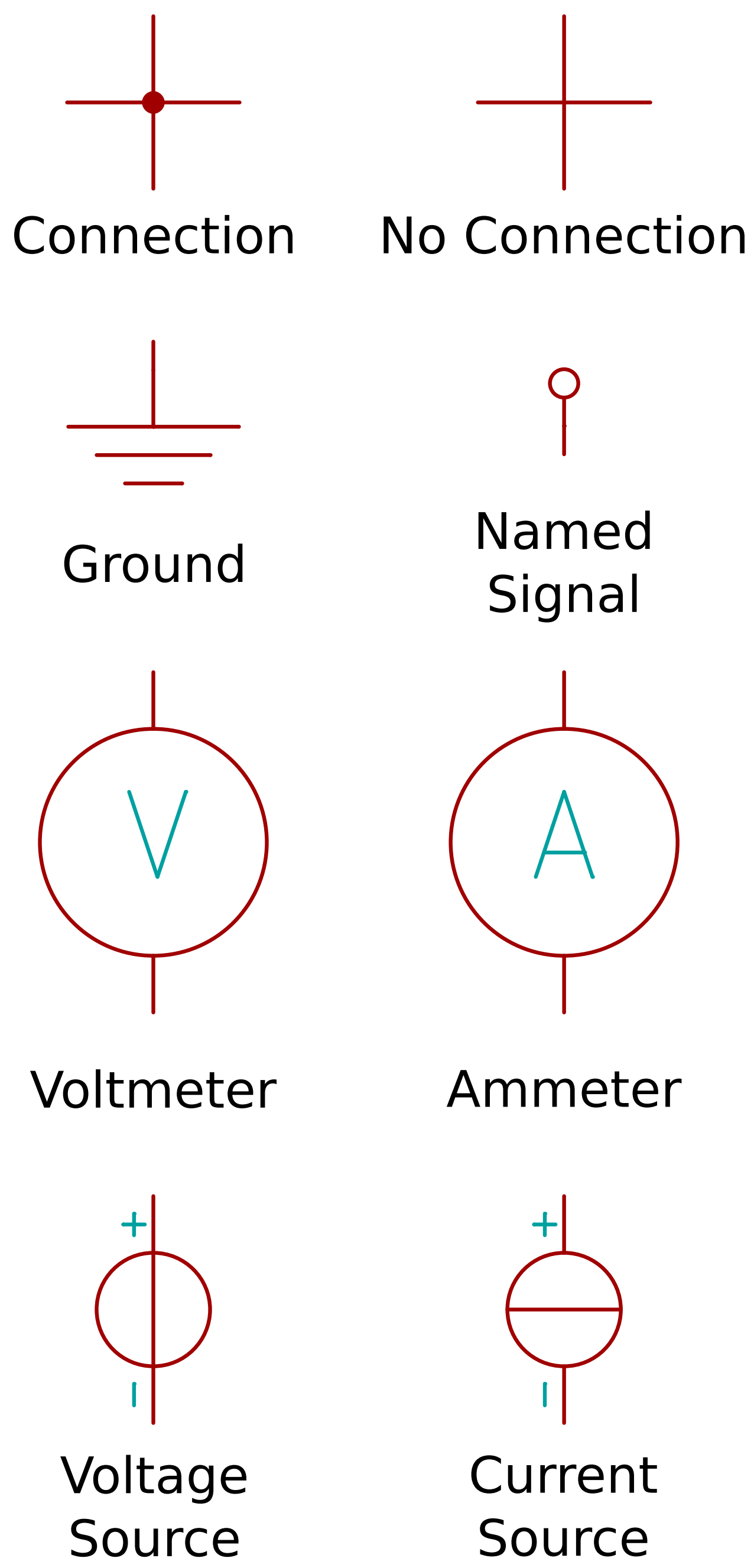
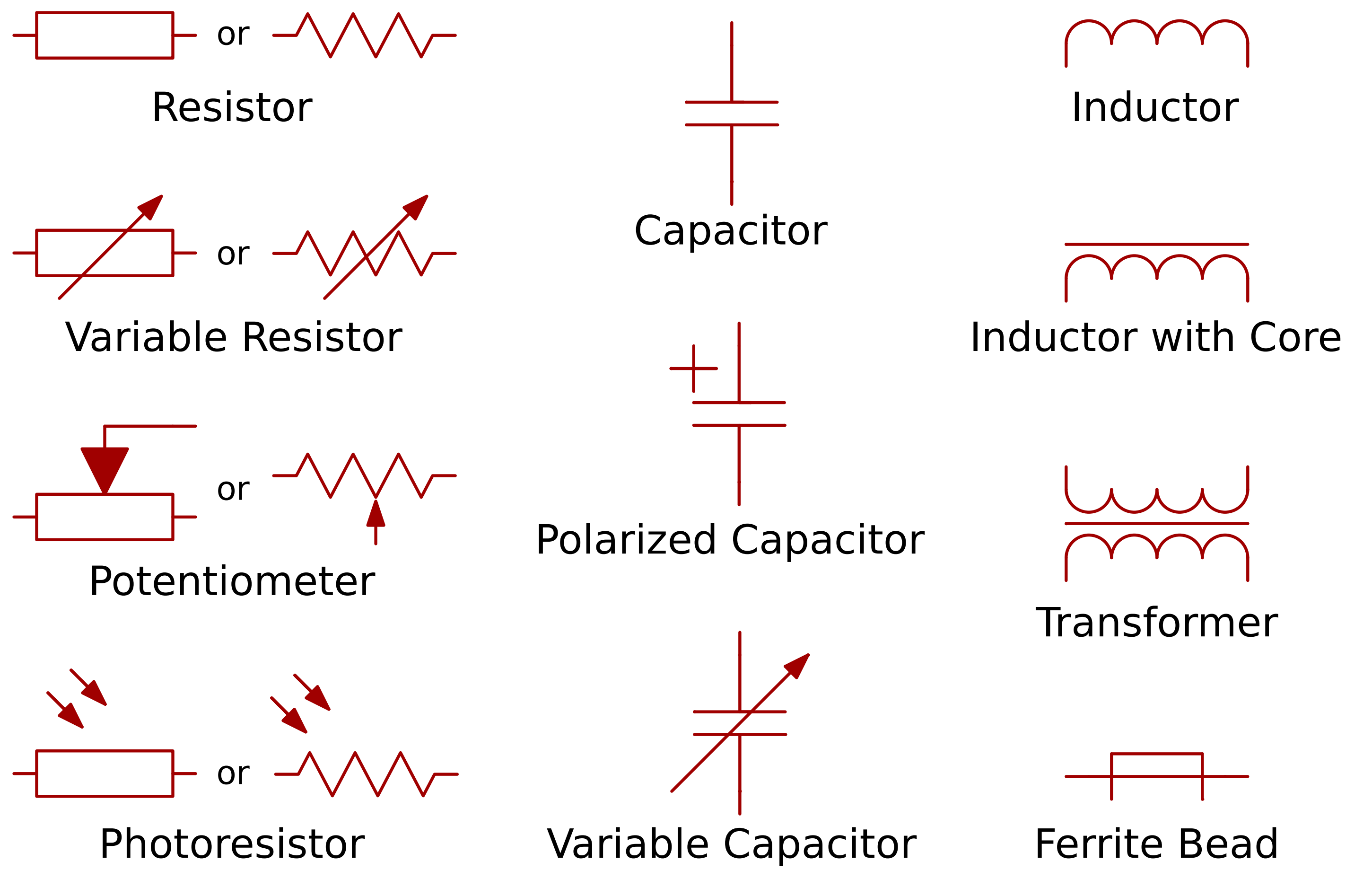


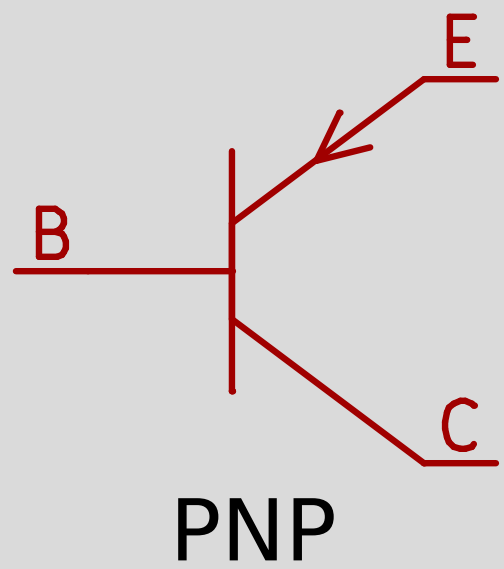
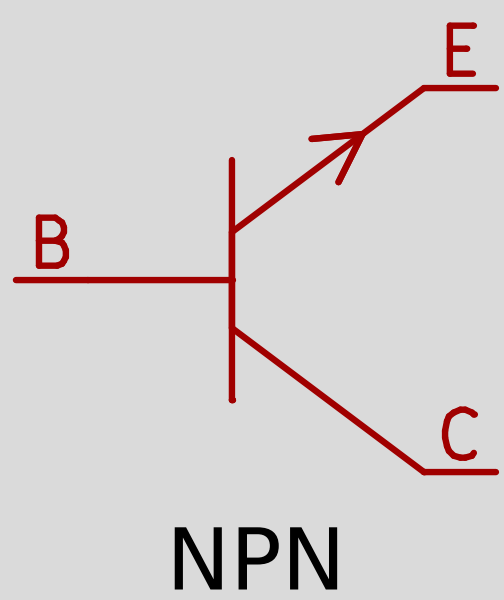
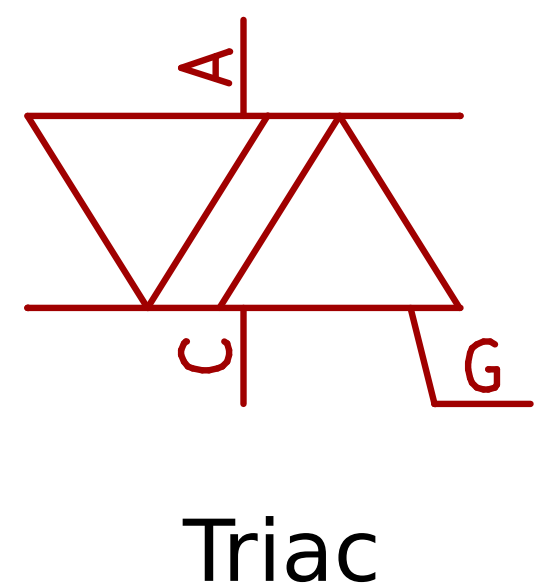
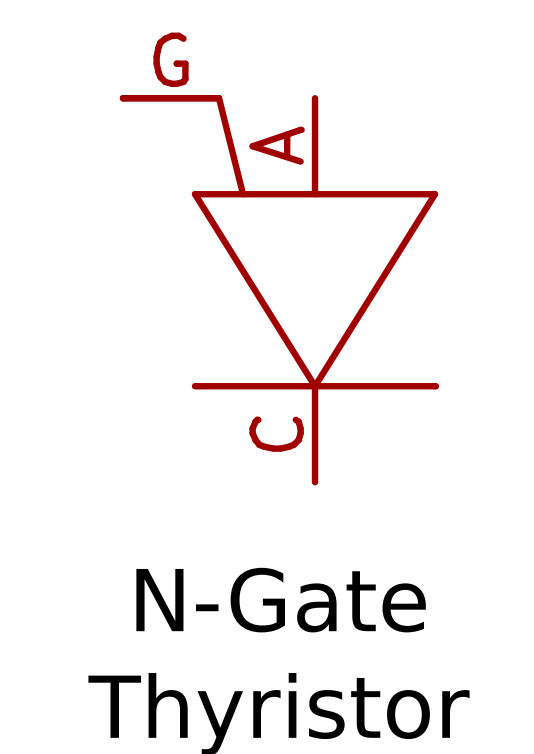
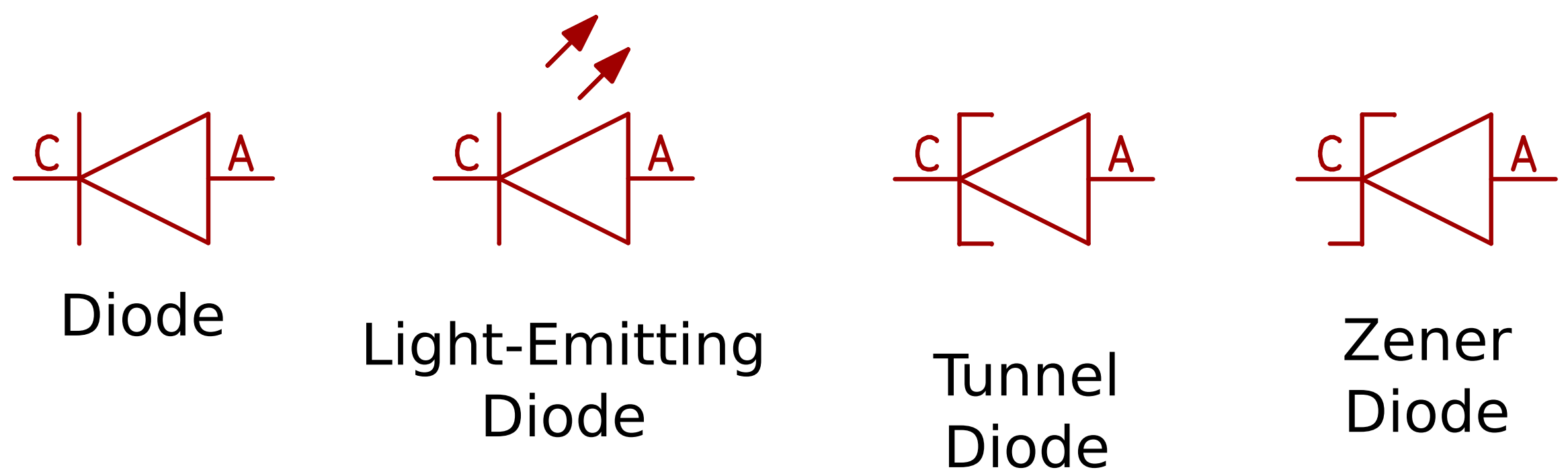
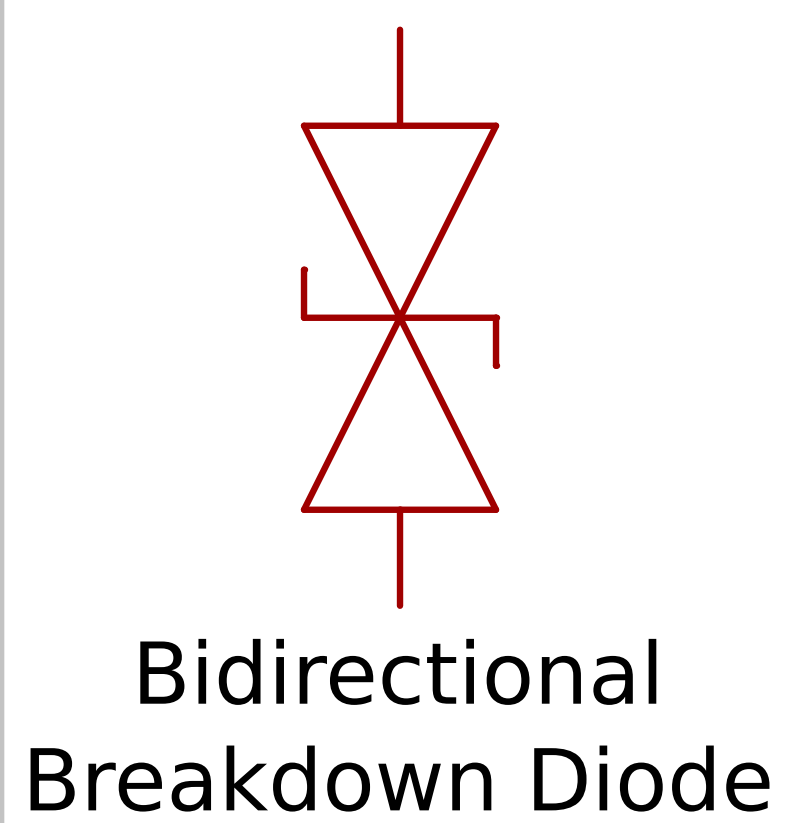
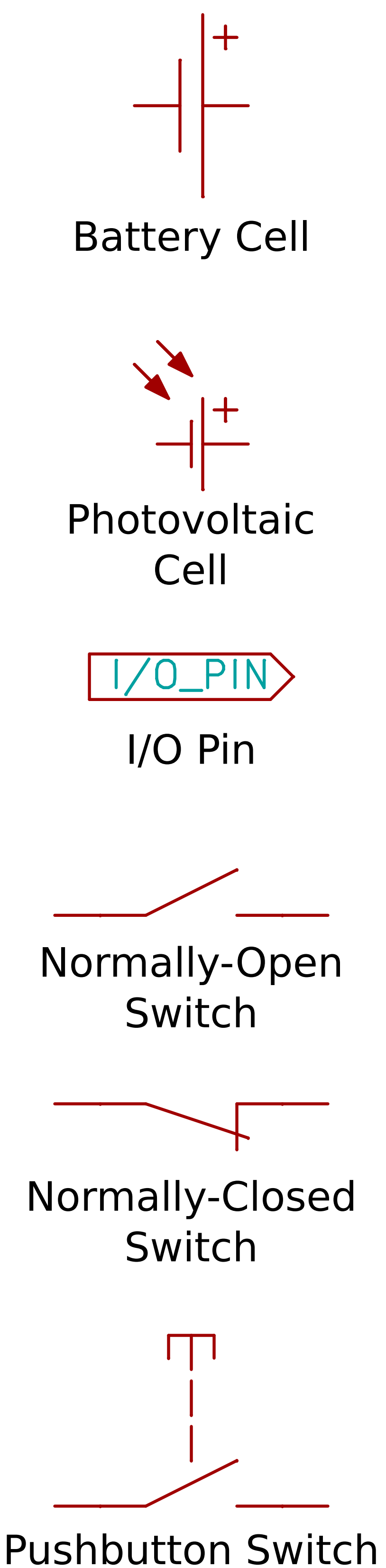
# Electrical Schematic Symbols



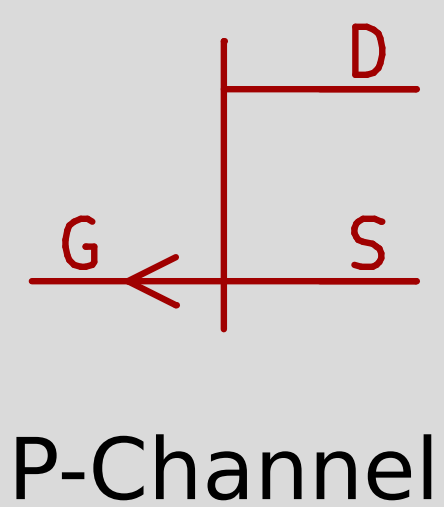
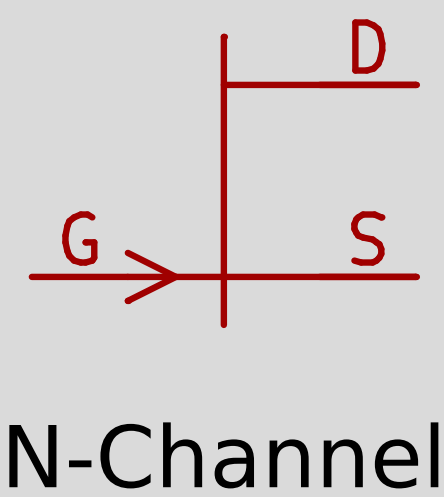
## Passive Components



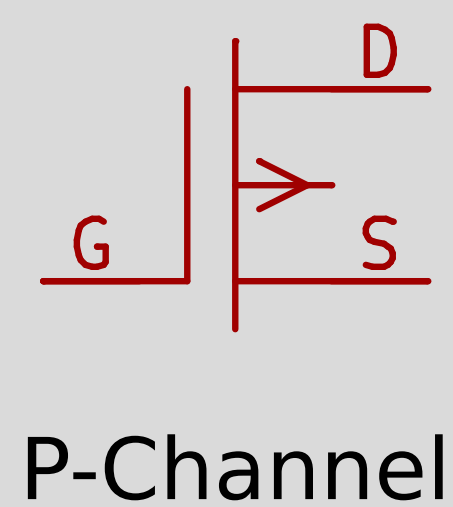
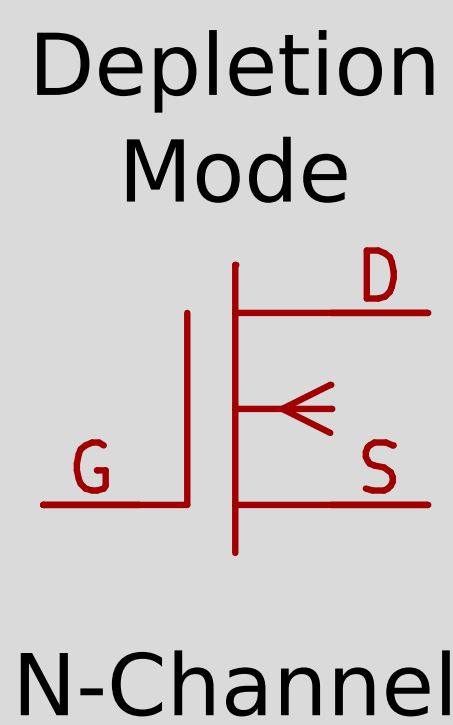
## Active Components



Bipolar Junction Transistors



Field-Effect Transistors



Insulated-Gate Field-Effect Transistors

